

Breamore Candle Sconce

L4209

A version of a simple single arm C18th wall sconce set into an oval back plate.

UK / EU Version

Depth: 250mm / 9.85"
Height: 150mm / 6"
Width: 95mm / 3.75"

Finishes: Antique Brass, Antique Silver

Weight: 0.65kg
Material: Brass
Shade: Recommended 140mm / 5.5" Base Diameter

Certification: BSEN 60598
IP Rated: Yes - can be upgraded with an IP44 rated light unit
Wiring: Wiring is external along the arm (French wired)

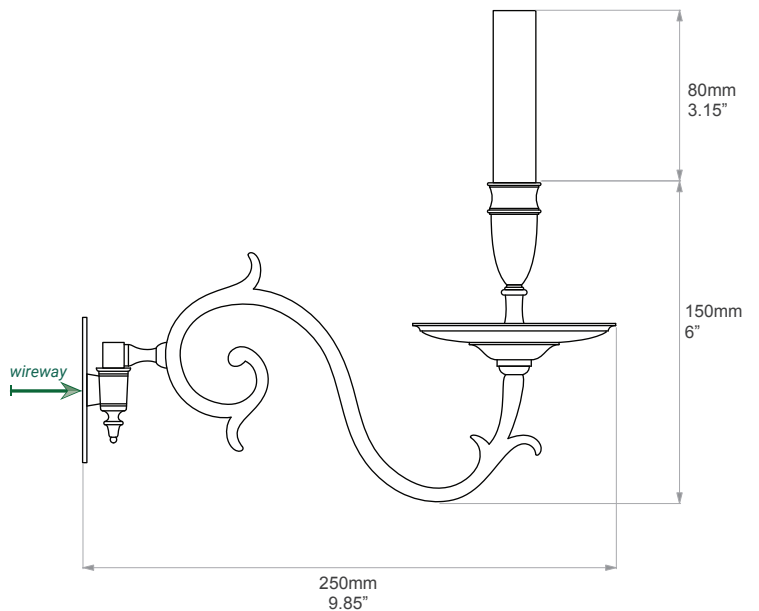
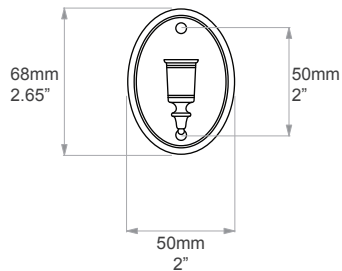
Lamp Holder: x 1 SBC B15
Input Voltage: 230V
Bulb: x 1 SBC B15 Candle
Bulb Wattage: 40w max recommended

Additional Info: Available as candle sconce or alternatively, wired for UK, Europe or USA. Measurements given are approximate. All metal work items are bespoke and hand coloured. This means that each piece is individual and will continue to age over time.

FRONT

SIDE

UK Wall Plate



Breamore Candle Sconce

L4209

A version of a simple single arm C18th wall sconce set into an oval back plate.

US Version

Depth: 275mm / 10.8"
Height: 175mm / 7"
Width: 110mm / 4.3"

Finishes: Antique Brass, Antique Silver

Weight: 0.65kg
Material: Brass
Shade: Recommended 140mm / 5.5" Base Diameter

Certification: BSEN 60598
IP Rated: n/a
Wiring: Wiring is external along the arm (French wired)

Lamp Holder: x 1 E12
Input Voltage: 110V
Bulb: x 1 E12 Candelabra
Bulb Wattage: 40w max recommended

Additional Info: Available as candle sconce or alternatively, wired for UK, Europe or USA. Measurements given are approximate. All metal work items are bespoke and hand coloured. This means that each piece is individual and will continue to age over time.

FRONT

SIDE

US Wall Plate

